

**IT INDICE**

1. FERRAMENTA	1
2. INSTALLAZIONE	2

**EN CONTENTS**

1. HARDWARE KIT	1
2. INSTALLATION	2

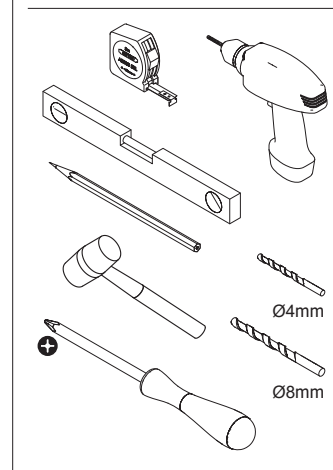
**DE INHALTSVERZEICHNIS**

1. EISENWAREN-KIT	1
2. MONTAGE	2

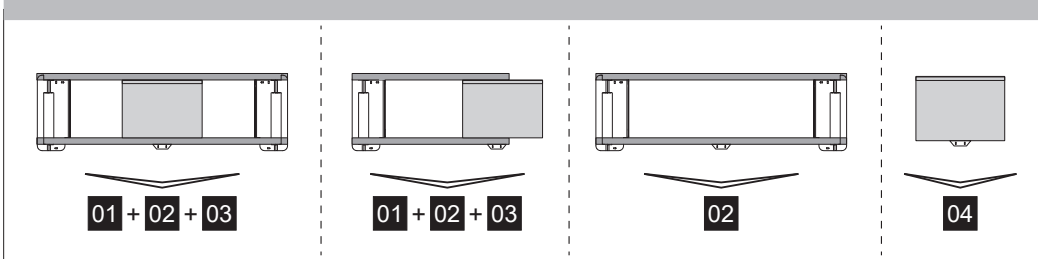
**FR INDEX**

1. QUINCAILLERIE	1
2. INSTALLATION	2

- IT ATTENZIONE:**  
- Verificare la condizione del supporto prima dell'installazione e scegliere viti adeguate al supporto esistente.
- EN ATTENTION:**  
- Check the support condition before proceeding with the installation; also choose adequate screws for the existing support.
- DE ACHTUNG:**  
- Vor der Installation des Spiegels den Zustand überprüfen; wählen Sie angemessene Schrauben für bestehenden Halter aus.
- FR ATTENTION:**  
- Vérifier les conditions du support avant l'installation et choisir les vis appropriées au support existant.



IT FERRAMENTA	EN HARDWARE KIT	DE EISENWAREN-KIT	FR QUINCAILLERIE
F01 Ø8 x 40	F02 Ø5 x 55 mm TPSC	F03 Level	F04 Mirror holder
F05 Ø3,5 x 16 mm TPSC	F06 Mirror holder	F07 Ø3,5 x 40 mm TPSC	F08 Ø3,5 x 50 mm TPSC



**01**

**A**

Le misure sono espresse in cm.  
All measurements are in centimetres.  
Abmessungen in Zentimetern (cm).  
Les mesures sont en cm.

**B**

Ø8 mm

**C**

F01

**D**

F03

Crack

**E**

F02

**F**

**G**

**H**

F04

**I**

F01

**02**

**A**

480mm

477mm

**B**

Ø8 mm

**C**

F01

**D**

F02

**E**

**F**

F05

**G**

**H**

F05

**I**

F06

**L**

Ø8 mm

**M**

F02

F01

**N**

F05