

TULIP PORTASCIUGAMANO PER MONOLITA



IT INDICE

- 1. FERRAMENTA 1
- 2. INSTALLAZIONE 2

GB CONTENTS

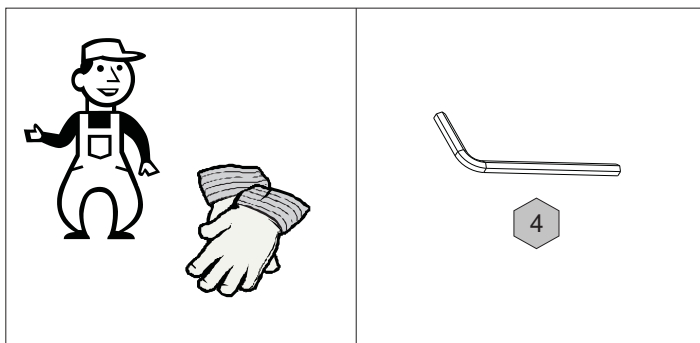
- 1. HARDWARE KIT 1
- 2. INSTALLATION 2

D INHALTSVERZEICHNIS

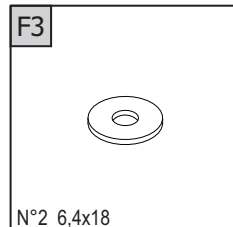
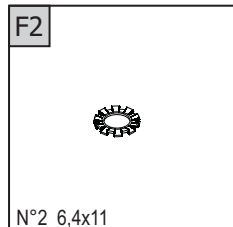
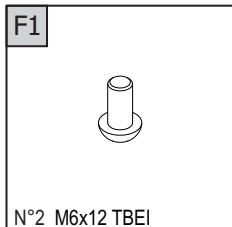
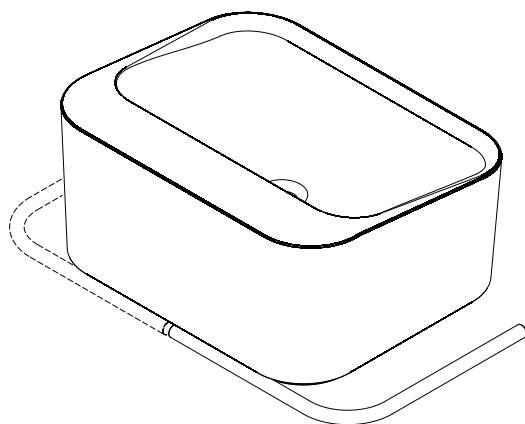
- 1. EISENWAREN-KIT 1
- 2. MONTAGE 2

F INDEX

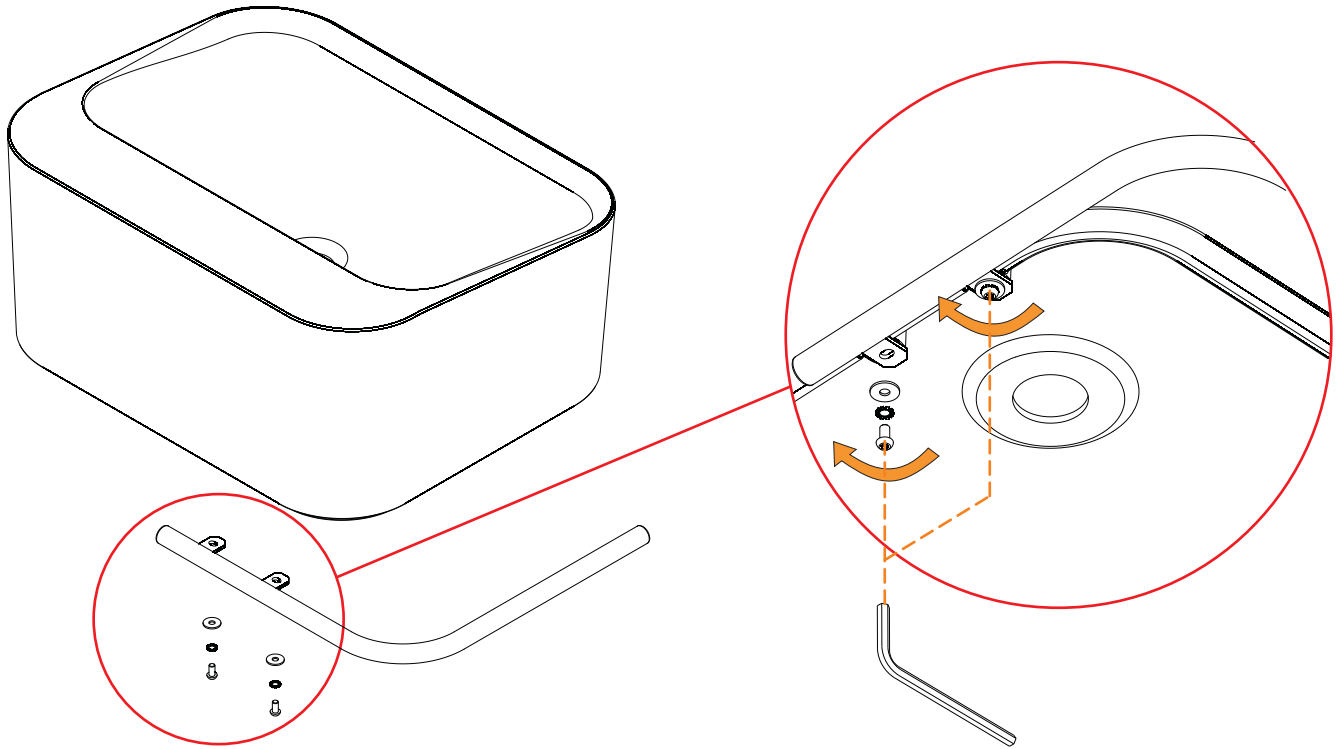
- 1. QUINCAILLERIE 1
- 2. INSTALLATION 2



IT 1. FERRAMENTA **GB** 1. HARDWARE KIT **D** 1. EISENWAREN-KIT **F** 1. QUINCAILLERIE



- IT** INSTALLAZIONE SX
- GB** INSTALLATION LEFT
- D** MONTAGE LINKS
- F** INSTALLATION GAUCHE



- IT** INSTALLAZIONE DX
- GB** INSTALLATION RIGHT
- D** MONTAGE RECHTS
- F** INSTALLATION DROITE

