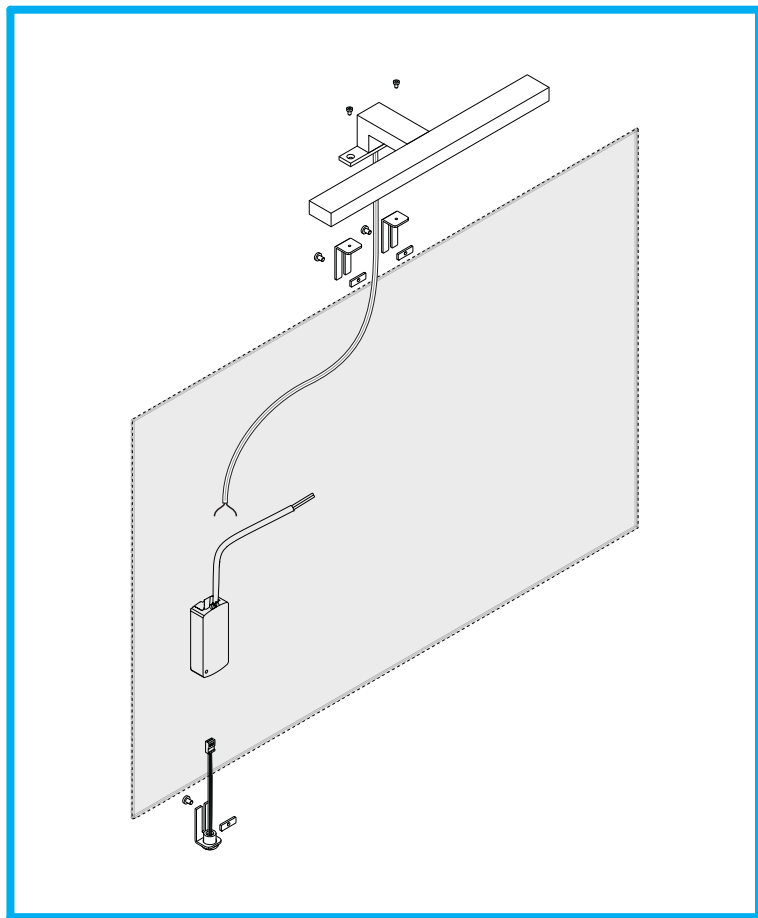


MONTAGGIO STAFFE PER FARETTO E SENSOR



IT **INDICE**

1. FERRAMENTA	1
2. INSTALLAZIONE	2

EN **CONTENTS**

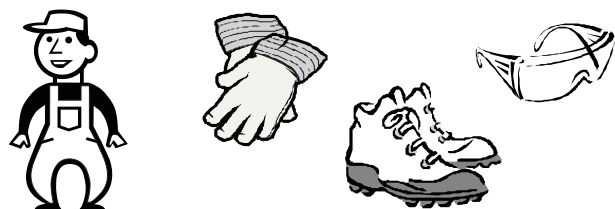
1. HARDWARE KIT	1
2. INSTALLATION	2

DE **INHALTSVERZEICHNIS**

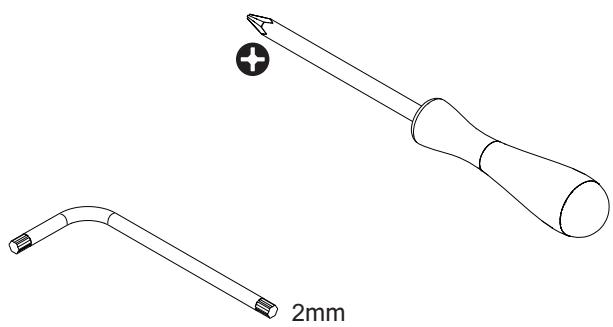
1. EISENWAREN-KIT	1
2. MONTAGE	2

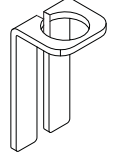
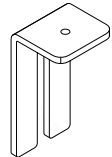
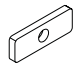
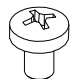


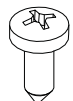
FR **INDEX**

1. QUINCAILLERIE	1
2. INSTALLATION	2

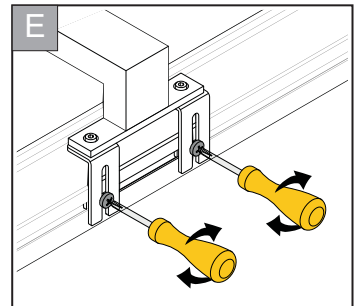
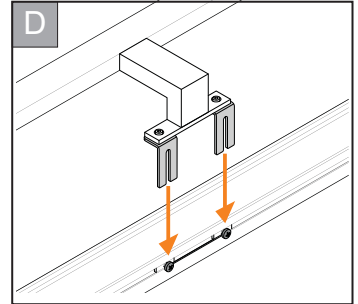
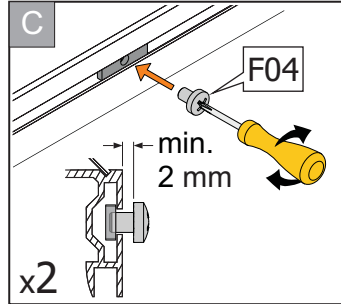
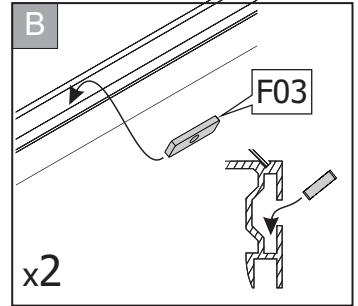
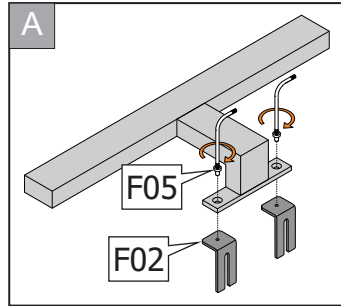
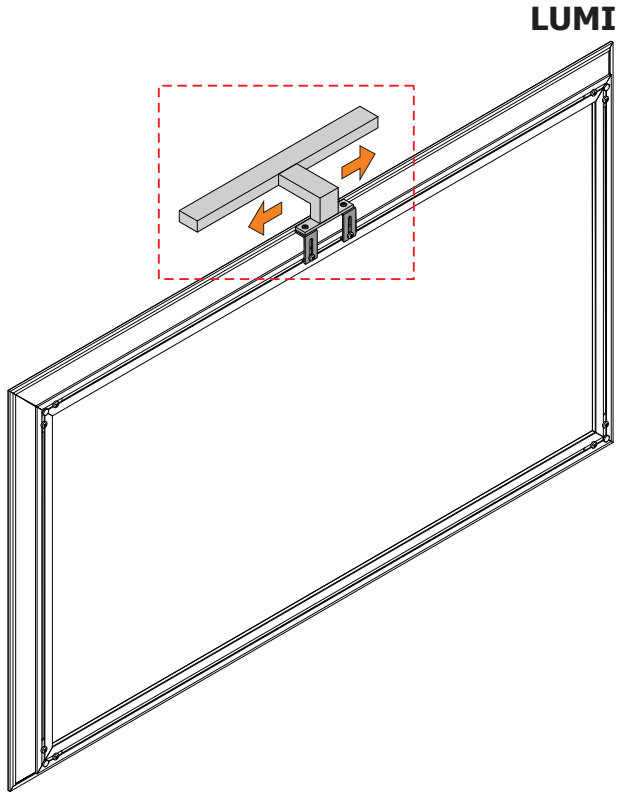


IT 1. FERRAMENTA **EN** 1. HARDWARE KIT
DE 1. EISENWAREN-KIT **FR** 1. QUINCAILLERIE

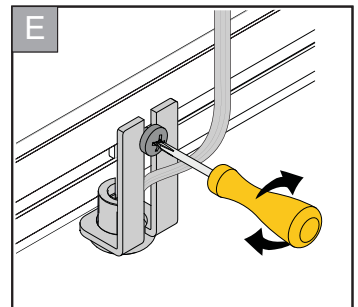
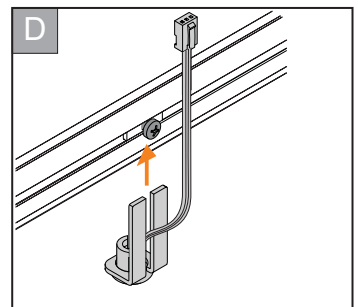
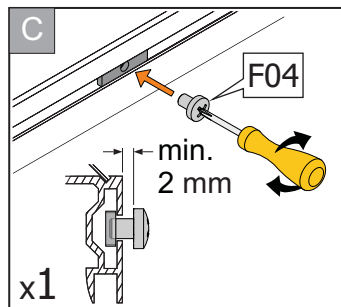
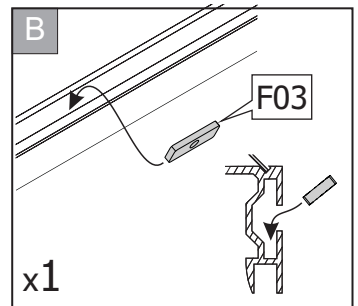
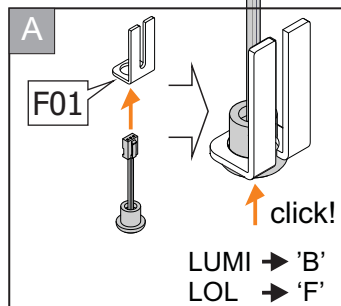
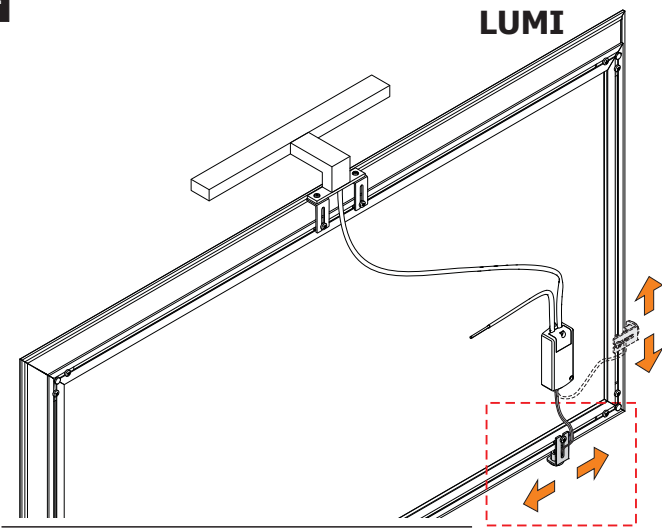


<p>F01</p>  <p>N°1</p>	<p>F02</p>  <p>N°2</p>	<p>F03</p>  <p>N°3</p>
<p>F04</p>  <p>N°3 M4x8 TCC</p>	<p>F05</p>  <p>N°2 M3x6 TCEI</p>	<p>F06</p>  <p>N°1</p>
<p>F07</p>  <p>N°1 Ø3,5x18 TCC</p>		

01



02



LOL

