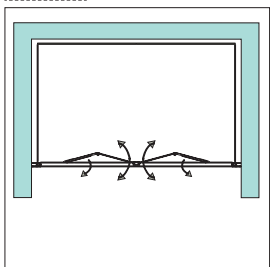
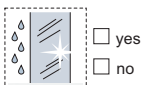


Trattamento protezione vetro
Shower Glass Protect
Glasschutzbehandlung
Traitement protection verre

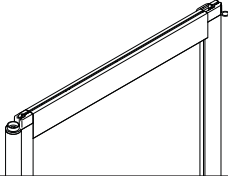
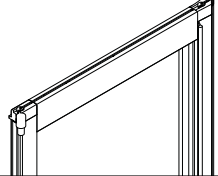
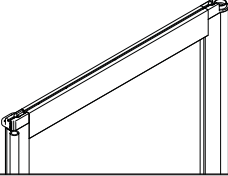
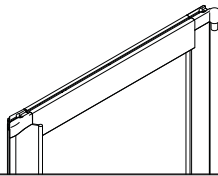

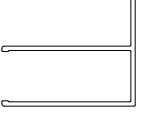
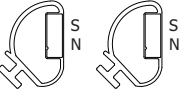
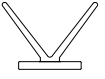
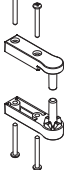
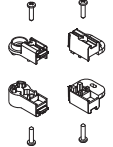

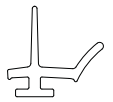
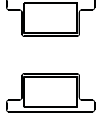


IT DIMENSIONI:	GE MEASURES:	D ABMESSUNGEN:	F DIMENSIONS:
<input type="checkbox"/> 120	<input type="checkbox"/> 125	<input type="checkbox"/> 130	<input type="checkbox"/> 135
<input type="checkbox"/> 140	<input type="checkbox"/> 145	<input type="checkbox"/> 150	<input type="checkbox"/> 155
<input type="checkbox"/> 160	<input type="checkbox"/> 165	<input type="checkbox"/> 170	<input type="checkbox"/> 175
IT PROFILO:	GE PROFILE:	D PROFIL:	F PROFIL:
<input type="checkbox"/> Bianco/White/Weiss/Blanc	<input type="checkbox"/> Arg. Semi.Luc/Semi Brill/Silber Halbglanz/Semi- brillant		
IT VETRO:	GE GLASS:	D GLAS:	F VERRE:
<input type="checkbox"/> Trasparente/Transparent	<input type="checkbox"/> Piumato/Piumate	<input type="checkbox"/> Crilex/Acryl	




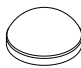

RA900279



Sacchetto Ferramenta
Hardware pack
Rauchchrom
Sachet Quincailleries

<p>R01 COD. RA300136</p> <ul style="list-style-type: none"> IT ANTA CERNIERA TIME SX GB DOOR HINGE TIME SX D TÜR SCHARNIERS TIME SX F PORTE AVEC CHARNIÈRE SX 		<p>R02 COD. RA300158</p> <ul style="list-style-type: none"> IT ANTA CON MANIGLIA TIME SX GB DOOR WITH HANDLE TIME SX D TÜR MIT HANDGRIFF TIME SX F PORTE AVEC POIGNÉE SX 	
<p>R03 COD. RA300136</p> <ul style="list-style-type: none"> IT ANTA CERNIERA TIME SX GB DOOR HINGE TIME SX D TÜR SCHARNIERS TIME SX F PORTE AVEC CHARNIÈRE SX 		<p>R04 COD. RA300137</p> <ul style="list-style-type: none"> IT ANTA CON MANIGLIA TIME DX GB DOOR WITH HANDLE TIME DX D TÜR MIT HANDGRIFF TIME DX F PORTE AVEC POIGNÉE DX 	
<p>R05 COD. RA250144</p> <ul style="list-style-type: none"> IT KIT PROFILO MONTANTE CERNIERA GB HINGE-PROFILE KIT D SCHARNIERS-/FESTPROFIL KIT F KIT PROFIL MONTANT CHARNIERE 		<p>R06 COD. RA250145</p> <ul style="list-style-type: none"> IT PROFILO COMPENSATORE GB COMPENSATOR PROFILE D AUSGLEICHSPROFIL F PROFIL DE COPENSATION 	
<p>R07 COD. RA200153</p> <ul style="list-style-type: none"> IT KIT PROFILI CALAMITATI GB PROFILES WITH MAGNET KIT D MAGNETLEISTE KIT F KIT PROFILS AIMANTES 		<p>R08 COD. RA200150</p> <ul style="list-style-type: none"> IT PROFILO PVC GB GASKET PVC D DICHTUNG PVC F PROFIL PVC 	
<p>R09 COD. RA400077</p> <ul style="list-style-type: none"> IT KIT TAPPI PROFILO GB COVER KIT D STOPFEN KIT F KIT CACHES PROFIL 		<p>R10 COD. RA400088</p> <ul style="list-style-type: none"> IT KIT TAPPI PROFILO GB COVER KIT D STOPFEN KIT F KIT CACHES PROFIL 	
<p>R11 COD. RA400089</p> <ul style="list-style-type: none"> IT KIT TAPPI PROFILO GB COVER KIT D STOPFEN KIT F KIT CACHES PROFIL 		<p>R12 COD. RA200151</p> <ul style="list-style-type: none"> IT PROFILO PVC GB GASKET PVC D DICHTUNG PVC F KIT CACHES PROFIL 	
<p>R13 COD. RA200122</p> <ul style="list-style-type: none"> IT KIT PROFILI CALAMITATI GB PROFILES WITH MAGNET KIT D MAGNETLEISTE KIT F KIT PROFILS AIMANTES 		<p>R14 COD. RA200154</p> <ul style="list-style-type: none"> IT KIT GUARNIZIONI GB GASKET KIT D DICHTUNG KIT F KIT JOINTS 	<p>R07 + R08 + R12 + R13</p>

R15 COD. RA900096 IT KIT FERRAMENTA GB HARDWARE KIT D EISENWAREN-KIT F KIT QUINCAILLERIE

 <p>n°05 pz</p>	<ul style="list-style-type: none"> IT TASSELLO Ø 6mm GB RAWPLUG Ø 6mm D DÜBEL Ø 6mm F BLOQUER Ø 6mm 	 <p>n°05 pz</p>	<ul style="list-style-type: none"> IT TC+ 4,2X32 GB TC+ 4,2X32 D TC+ 4,2X32 F TC+ 4,2X32
 <p>n°04 pz</p>	<ul style="list-style-type: none"> IT TC+ 3,5X9,5 GB TC+ 3,5X9,5 D TC+ 3,5X9,5 F TC+ 3,5X9,5 	 <p>n°04 pz</p>	<ul style="list-style-type: none"> IT CAPP. PER VITE GB CAP FOR SCREW D KAPPE FÜR SCHRAUBE F COUVERCLE POUR VIS
 <p>n°04 pz</p>	<ul style="list-style-type: none"> IT SOTTOCAPPUCCIO GB UNDER CAP D UNTER KAPPE F SOUS COUVERCLE 		