

Trattamento protezione vetro
Shower Glass Protect
Glasschutzbehandlung
Traitement protection verre



IT DIMENSIONE LATI: GE SIDES MEASURES: D SEITEN ABMESSUNGEN: F DIMENSIONS CÔTES:

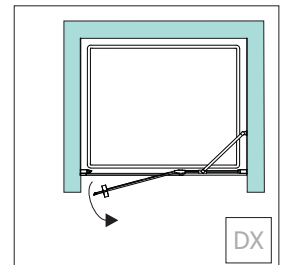
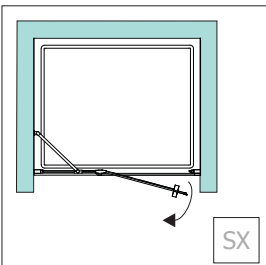
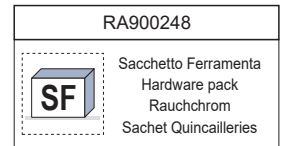
<input type="checkbox"/> 80	<input type="checkbox"/> 85	<input type="checkbox"/> 90	<input type="checkbox"/> 95	<input type="checkbox"/> 100
<input type="checkbox"/> 105	<input type="checkbox"/> 110	<input type="checkbox"/> 115	<input type="checkbox"/> 120	<input type="checkbox"/> 125
<input type="checkbox"/> 130	<input type="checkbox"/> 135	<input type="checkbox"/> 140	<input type="checkbox"/> F.M.	








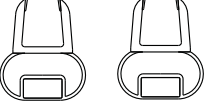

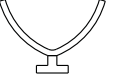
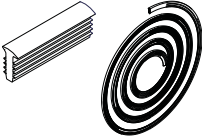
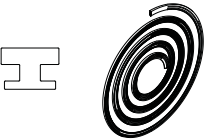
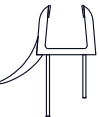
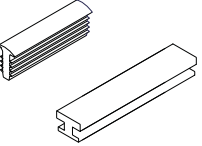

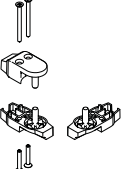
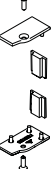
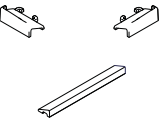
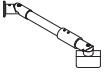
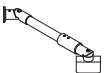

IT PROFILO: GE PROFILE: D PROFIL: F PROFIL:

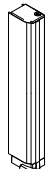
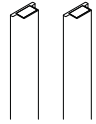
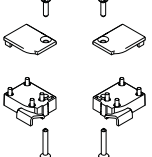
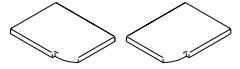
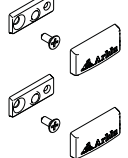
<input type="checkbox"/> Argento Luc/Silver Brill/Silber Glanz/Argent brillant	<input type="checkbox"/> Argento Sat/Silver Sat/Silber Sat/Argent satiné
<input type="checkbox"/> Bianco Seta/Silk White/Seide Weiss/Blanc Soie	

IT VETRO: GE GLASS: D GLAS: F VERRE:



<input type="checkbox"/> Trasparente/Transparent	<input type="checkbox"/> Fascia/Band glass/Glas Band/Verre Bonde
<input type="checkbox"/> Grigio Europa/Europe grey/Europa grau/gris europe	<input type="checkbox"/> Extra light
<input type="checkbox"/> Satinato/Satin/Satiniert/Satiné	<input type="checkbox"/> Specchiato/Mirror effect/Verspiegelter Glas/Effet miroir
<input type="checkbox"/> Piumato/Piumate	



<p>R01 COD. RA300162</p> <ul style="list-style-type: none"> IT ANTA BATTENTE GB WING DOOR D SCHWENKTÜR F PORTE BATTANTE 		<p>R02 COD. RA300164</p> <ul style="list-style-type: none"> IT LATO FISSO GB FIXED SIDE D FIXTEIL F CÔTE FIXE 	
<p>R03 COD. RA250226</p> <ul style="list-style-type: none"> IT PROFILO COMPENSATORE GB COMPENSATOR PROFILE D AUSGLEICHSPROFIL F PROFIL DE COMPENSATION 		<p>R04 COD. RA250227</p> <ul style="list-style-type: none"> IT KIT PROFILO COMPENSATORE GB COMPENSATOR PROFILE KIT D AUSGLEICHSPROFIL KIT F KIT PROFIL DE COMPENSATION 	
<p>R05 COD. RA250231</p> <ul style="list-style-type: none"> IT PROFILO COMPENSATORE GB COMPENSATOR PROFILE D AUSGLEICHSPROFIL F PROFIL DE COMPENSATION 		<p>R06 COD. RA250228</p> <ul style="list-style-type: none"> IT PROFILO MONTANTE GB POST PROFILE D FESTPROFIL F PROFIL MONTANT 	
<p>R07 COD. RA250229</p> <ul style="list-style-type: none"> IT KIT MONTANTE GB PROFILE KIT D PROFIL KIT F KIT MONTANT 		<p>R08 COD. RA200002</p> <ul style="list-style-type: none"> IT KIT PROFILI CALAMITATI GB PROFILES WITH MAGNET KIT D PROFILES MIT MAGNET KIT F KIT PROFIL AIMANTES 	
<p>R09 COD. RA100024</p> <ul style="list-style-type: none"> IT SET MANIGLIA K GB HANDLES SET K D HANDGRIFF SET K F KIT POIGNEE K 		<p>R10 COD. RA200005</p> <ul style="list-style-type: none"> IT PROFILO PVC GB PROFILE PVC D PROFIL AUS PVC F PROFIL PVC 	
<p>R11 COD. RA200176</p> <ul style="list-style-type: none"> IT GUARNIZIONE TRASPARENTE (mt.7) GB TRANSPARENT GASKET (mt.7) D TRANSPARENTE DICHTUNG (mt.7) F JOINT TRANSPARENT (mt.7) 		<p>R12 COD. RA200072</p> <ul style="list-style-type: none"> IT PROFILO PVC GB PROFILE PVC D PROFIL AUS PVC F PROFIL PVC 	
<p>R13 COD. RA200177</p> <ul style="list-style-type: none"> IT PROFILO PVC GB PROFILE PVC D PROFIL AUS PVC F PROFIL PVC 		<p>R14 COD. RA200185</p> <ul style="list-style-type: none"> IT KIT GUARNIZIONI GB GASKET KIT D DICHTUNG KIT F KIT JOINTS 	
<p>R15 COD. RA400124</p> <ul style="list-style-type: none"> IT KIT TAPPI PROFILO GB COVER KIT D STOPF KIT F KIT CACHES PROFIL 		<p>R16 COD. RA400128</p> <ul style="list-style-type: none"> IT KIT TAPPI PROFILO GB COVER KIT D STOPF KIT F KIT CACHES PROFIL 	
<p>R17 COD. RA400127</p> <ul style="list-style-type: none"> IT KIT TAPPI PROFILO GB COVER KIT D STOPF KIT F KIT CACHES PROFIL 		<p>R18 COD. RA350080</p> <ul style="list-style-type: none"> IT KIT BORDINO SALVAGOCCIA GB DRIP CATCHER EDGE KIT D TROPFENFÄNGER PROFIL KIT F BAGUETTE D'ETANCHEITE 	
<p>R19 COD. RA151901 (A) - RA151902 (B)</p> <ul style="list-style-type: none"> IT BRACCIO N GB SUPPORT ARM N D TRÄGERARM N F BRAS DE SUPPORT N 	<p>A (L.500) </p> <p>B (L.800) </p>	<p>R20 COD. RA250232</p> <ul style="list-style-type: none"> IT PROFILO MONTANTE GB POST PROFILE D FESTPROFIL F PROFIL MONTANT 	

R21 COD. RA250233 (IT) KIT MONTANTE (GB) PROFILE KIT (D) PROFIL KIT (F) KIT MONTANT		R22 COD. RA200173 (IT) KIT PROFILI CALAMITATI (GB) PROFILES WITH MAGNET KIT (D) PROFILEN MIT MAGNET KIT (F) KIT PROFIL AIMANTES	
R23 COD. RA400129 (IT) KIT TAPPI PROFILO (GB) COVER KIT (D) STOPF KIT (F) KIT CACHES PROFIL		R24 COD. RA400130 (IT) KIT TAPPI PROFILO (GB) COVER KIT (D) STOPF KIT (F) KIT CACHES PROFIL	
R25 COD. RA400126 (IT) KIT COVER (GB) COVER KIT (D) STOPF KIT (F) KIT CACHE		R26 COD. RA200192 (IT) KIT GUARNIZIONI (GB) GASKET KIT (D) DICHTUNG KIT (F) KIT JOINTS	<div style="display: flex; flex-direction: column; align-items: center;"> <div style="display: flex; gap: 10px;"> <div style="border: 1px solid black; padding: 2px;">R08</div> <div style="border: 1px solid black; padding: 2px;">+</div> <div style="border: 1px solid black; padding: 2px;">R10</div> <div style="border: 1px solid black; padding: 2px;">+</div> <div style="border: 1px solid black; padding: 2px;">R11</div> </div> <div style="display: flex; gap: 10px; margin-top: 5px;"> <div style="border: 1px solid black; padding: 2px;">R12</div> <div style="border: 1px solid black; padding: 2px;">+</div> <div style="border: 1px solid black; padding: 2px;">R13</div> <div style="border: 1px solid black; padding: 2px;">+</div> <div style="border: 1px solid black; padding: 2px;">R22</div> </div> </div>

R27 COD. RA900036 (IT) KIT FERRAMENTA (GB) HARDWARE KIT (DE) EISENWAREN-KIT (F) KIT QUINCAILLERIE

 n°4 pz	(IT) TASSELLO Ø 6mm (GB) RAWPLUG Ø 6mm (DE) DÜBEL Ø 6mm (F) BLOQUER Ø 6mm	 n°4 pz	(IT) VITE TC 4,2X32 (GB) SCREW TC 4,2X32 (DE) SCHRAUBE TC 4,2X32 (F) VIS TC 4,2X32
---	--	---	---



Specificare sempre l'estensibilità, la finitura del profilo, del vetro ed il verso della parete doccia
 Please specify always extensibility, profile colour, glass type and opening version of the shower cubicle (R or L)
 Verstellbereich, Profilfarbe, Glasvariante und Anschlag der Duschkabine (RE o. LI) immer angeben
 Toujours spécifier l'extensibilité, la finition du profil, la finition du verre et la version de la paroi de douche (droite ou gauche)