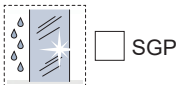


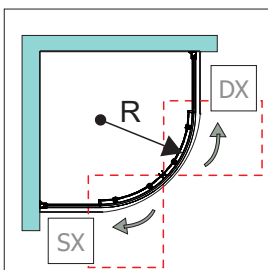
Trattamento protezione vetro  
Shower Glass Protect  
Glasschutzbehandlung  
Traitement protection verre



ESTENSIBILITÀ:	EXTENSIBILITY:	DEHNBARKEIT:	EXTENSIBILITE:
<input type="checkbox"/> 72,5-75 x 72,5-75 - R.38cm		<input type="checkbox"/> 77,5-80 x 77,5-80 - R.55cm	
<input type="checkbox"/> 87,5-90 x 87,5-90 - R.55cm		<input type="checkbox"/> 97,5-100 x 97,5-100 - R.55cm	
<input type="checkbox"/> F.M.			

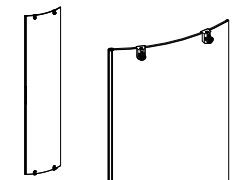
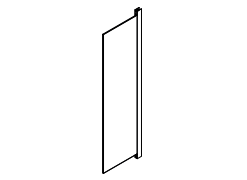
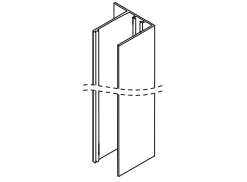
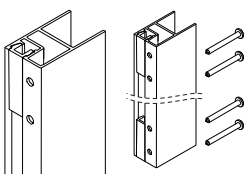
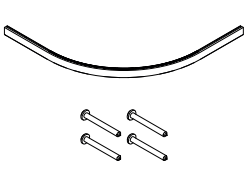
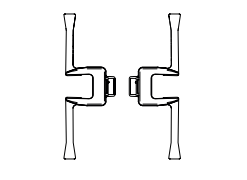
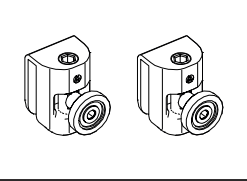
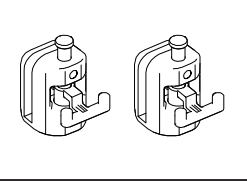
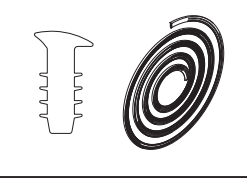
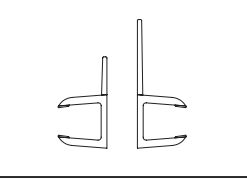
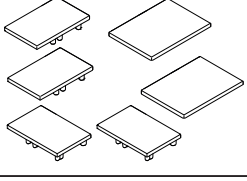
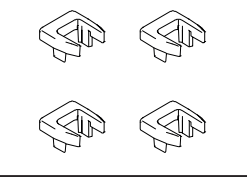
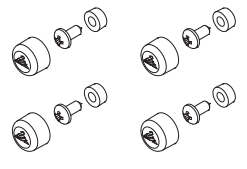
PROFILO:	PROFILE:	PROFIL:	PROFIL:
<input type="checkbox"/> Argento Luc/Silver Brill/Silber Glanz/Argent brillant		<input type="checkbox"/> Cromo fumè/Smoked chrome/Rauchchrom/Chrome fumé	
<input type="checkbox"/> Bianco/white/weiß/blanc		<input type="checkbox"/> Arblu opaco/mat/matt-lackiert/mat	
<input type="checkbox"/> RAL opaco/mat/matt-lackiert/mat			

VETRO:	GLASS:	GLAS:	VERRE:
<input type="checkbox"/> Trasparente/Transparent		<input type="checkbox"/> Piumato/Piumate	
<input type="checkbox"/> Satinato/Satin/Satiniert/Satiné			

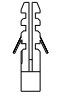
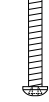

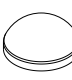






COD. RA900153

**SF** Sacchetto Ferramenta  
Hardware pack  
Rauchchrom  
Sachet Quincailleries

<p><b>R01</b> COD. RA300275</p> <ul style="list-style-type: none"> <li><span>IT</span> ANTA SCORREVOLE</li> <li><span>EN</span> SLIDING DOOR</li> <li><span>DE</span> SCHIEBETÜREN</li> <li><span>FR</span> PORTE COULISSANTE</li> </ul> 	<p><b>R02</b> COD. RA300272</p> <ul style="list-style-type: none"> <li><span>IT</span> VETRO FISSO</li> <li><span>EN</span> FIXED SIDE</li> <li><span>DE</span> FIXTEIL</li> <li><span>FR</span> CÔTE FIXE</li> </ul> 
<p><b>R03</b> COD. RA250387</p> <ul style="list-style-type: none"> <li><span>IT</span> PROFILO COMPENSATORE</li> <li><span>EN</span> COMPENSATOR PROFILE</li> <li><span>DE</span> AUSGLEICHSPROFIL</li> <li><span>FR</span> PROFIL DE COMPENSATION</li> </ul> 	<p><b>R04</b> COD. RA250377</p> <ul style="list-style-type: none"> <li><span>IT</span> PROFILO MONTANTE</li> <li><span>EN</span> POST PROFILE</li> <li><span>DE</span> FESTPROFIL</li> <li><span>FR</span> PROFIL MONTANT</li> </ul> 
<p><b>R05</b> COD. RA250393</p> <ul style="list-style-type: none"> <li><span>IT</span> KIT PROFILO BASE</li> <li><span>EN</span> BASE PROFILE KIT</li> <li><span>DE</span> BASIS PROFIL KIT</li> <li><span>FR</span> KIT PROFIL BASE</li> </ul> 	<p><b>R06</b> COD. RA250394</p> <ul style="list-style-type: none"> <li><span>IT</span> KIT PROFILI CALAMITATI</li> <li><span>EN</span> PROFILES WITH MAGNET KIT</li> <li><span>DE</span> PROFILS MIT MAGNET KIT</li> <li><span>FR</span> KIT PROFILS AIMANTES</li> </ul> 
<p><b>R07</b> COD. RA850053</p> <ul style="list-style-type: none"> <li><span>IT</span> CARRELLI VEGA NEW T SUPERIORI</li> <li><span>EN</span> VEGA NEW R TOP SLIDING SYSTEM</li> <li><span>DE</span> OBERE GLEITRÄDCHEN F. VEGA NEW RU</li> <li><span>FR</span> ROULETTE SUPERIEURES VEGA NEW R</li> </ul> 	<p><b>R08</b> COD. RA850054</p> <ul style="list-style-type: none"> <li><span>IT</span> CARRELLI VEGA NEW T INFERIORI</li> <li><span>EN</span> VEGA NEW R BOTTOM SLIDING SYSTEM</li> <li><span>DE</span> UNTERE GLEITRÄDCHEN F. VEGA NEW RU</li> <li><span>FR</span> ROULETTES INFERIEURES VEGA NEW R</li> </ul> 
<p><b>R09</b> COD. RA200204</p> <ul style="list-style-type: none"> <li><span>IT</span> GUARNIZIONE TRASPARENTE (mt.2,1)</li> <li><span>EN</span> TRANSPARENT GASKET (mt.2,1)</li> <li><span>DE</span> TRANSPARENTE DICHTUNG (mt.2,1)</li> <li><span>FR</span> JOINT TRANSPARENT (mt.2,1)</li> </ul> 	<p><b>R10</b> COD. RA200023</p> <ul style="list-style-type: none"> <li><span>IT</span> KIT GUARNIZIONI</li> <li><span>EN</span> GASKET KIT</li> <li><span>DE</span> DICHTUNG KIT</li> <li><span>FR</span> KIT JOINTS</li> </ul> 
<p><b>R11</b> COD. RA400187</p> <ul style="list-style-type: none"> <li><span>IT</span> KIT TAPPI PROFILO</li> <li><span>EN</span> COVER KIT</li> <li><span>DE</span> STOPF KIT</li> <li><span>FR</span> KIT CACHES PROFIL</li> </ul> 	<p><b>R12</b> COD. RA400161</p> <ul style="list-style-type: none"> <li><span>IT</span> KIT TAPPI PROFILO</li> <li><span>EN</span> COVER KIT</li> <li><span>DE</span> STOPF KIT</li> <li><span>FR</span> KIT CACHES PROFIL</li> </ul> 
<p><b>R13</b> COD. RA400086</p> <ul style="list-style-type: none"> <li><span>IT</span> KIT FINECORSA</li> <li><span>EN</span> SLIDE RAIL STOP KIT</li> <li><span>DE</span> ENDTEIL-KIT DER GLEITSTANGE</li> <li><span>FR</span> KIT BUTÉE DE FIN DE COURSE</li> </ul> 	<p><b>R14</b> COD. RA200237</p> <ul style="list-style-type: none"> <li><span>IT</span> KIT GUARNIZIONI</li> <li><span>EN</span> GASKET KIT</li> <li><span>DE</span> DICHTUNG KIT</li> <li><span>FR</span> KIT JOINTS</li> </ul> <div style="border: 1px solid black; padding: 5px; width: fit-content; margin: 10px auto;"> <p>R09 x 6</p> <p>R10 x 2</p> </div>

**R15** COD. RA900151 IT KIT FERRAMENTA EN HARDWARE KIT DE EISENWAREN-KIT FR KIT QUINCAILLERIE

 <p>n°04 pz</p>	<ul style="list-style-type: none"> <li><span>IT</span> TASSELLO Ø 6mm</li> <li><span>EN</span> RAWPLUG Ø 6mm</li> <li><span>DE</span> DÜBEL Ø 6mm</li> <li><span>FR</span> BLOQUER Ø 6mm</li> </ul>	 <p>n°04 pz</p>	<ul style="list-style-type: none"> <li><span>IT</span> VITE TCC 4,2X32</li> <li><span>EN</span> SCREW TCC 4,2X32</li> <li><span>DE</span> SCHRAUBE TCC 4,2X32</li> <li><span>FR</span> VIS TCC 4,2X32</li> </ul>	 <p>n°10 pz</p>	<ul style="list-style-type: none"> <li><span>IT</span> SOTTOCAPPUCCIO PER VITE</li> <li><span>EN</span> UNDER CAP FOR SCREW</li> <li><span>DE</span> UNTER KAPPE FÜR SCHRAUBE</li> <li><span>FR</span> SOUS COUVERCLE POUR VIS</li> </ul>	 <p>n°10 pz</p>	<ul style="list-style-type: none"> <li><span>IT</span> CAPPuccio PER VITE</li> <li><span>EN</span> CAP FOR SCREW</li> <li><span>DE</span> KAPPE FÜR SCHRAUBE</li> <li><span>FR</span> COUVERCLE POUR VIS</li> </ul>
 <p>n°02 pz</p>	<ul style="list-style-type: none"> <li><span>IT</span> VITE TCC 3,9X9,5</li> <li><span>EN</span> SCREW TCC 3,9X9,5</li> <li><span>DE</span> SCHRAUBE TCC 3,9X9,5</li> <li><span>FR</span> VIS TCC 3,9X9,5</li> </ul>	 <p>n°04 pz</p>	<ul style="list-style-type: none"> <li><span>IT</span> VITE TCC 3,5X8</li> <li><span>EN</span> SCREW TCC 3,5X8</li> <li><span>DE</span> SCHRAUBE TCC 3,5X8</li> <li><span>FR</span> VIS TCC 3,5X8</li> </ul>	 <p>n°08 pz</p>	<ul style="list-style-type: none"> <li><span>IT</span> VITE TCC 3,5X32</li> <li><span>EN</span> SCREW TCC 3,5X32</li> <li><span>DE</span> SCHRAUBE TCC 3,5X32</li> <li><span>FR</span> VIS TCC 3,5X32</li> </ul>	 <p>n°02 pz</p>	<ul style="list-style-type: none"> <li><span>IT</span> TAPPO</li> <li><span>EN</span> PLUG</li> <li><span>DE</span> STOPFEN</li> <li><span>FR</span> BOUCHON</li> </ul>



Specificare sempre l'estensibilità, la finitura del profilo e del vetro  
Please specify always extensibility, profile colour and glass type  
Verstellbereich, Profilfarbe und Glasvariante immer angeben  
Toujours spécifier l'extensibilité, la finition du profil et la finition du verre