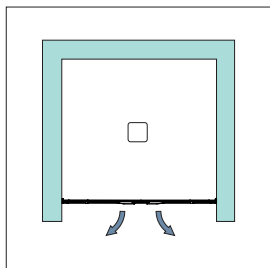


Trattamento protezione vetro
Shower Glass Protect
Glasschutzbehandlung
Traitement protection verre

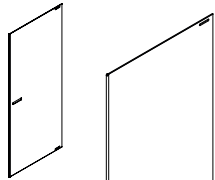
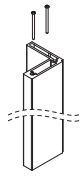
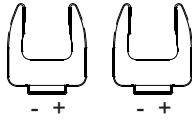
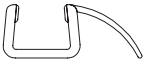

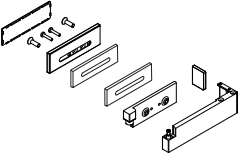
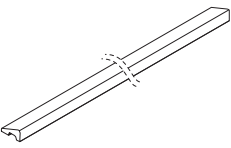
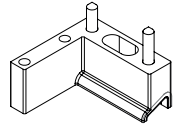
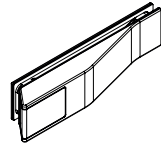
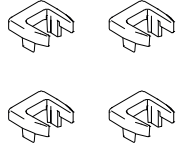
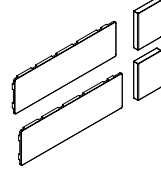
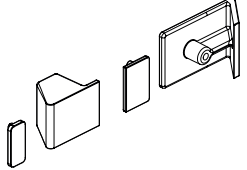


ESTENSIBILITA':	EXTENSIBILITY:	DEHNBARKEIT:	EXTENSIBILITE:
<input type="checkbox"/> F.M.			
PROFILO:	PROFILE:	PROFIL:	PROFIL:
<input type="checkbox"/> Argento Luc/Silver Brill/Silber Glanz/Argent brillant	<input type="checkbox"/> Alublack	<input type="checkbox"/> RAL opaco/mat/matt-lackiert/mat	
<input type="checkbox"/> Metal	<input type="checkbox"/> Metal Brushed		
VETRO:	GLASS:	GLAS:	VERRE:
<input type="checkbox"/> Trasparente/Transparent	<input type="checkbox"/> Grigio Europa/Europe grey/Grau Europa/Gris Europe		
<input type="checkbox"/> Extra Light	<input type="checkbox"/> Specchiato/Mirror effect/Gespiegelt/Effet miroir		
<input type="checkbox"/> Satinato/Satin/Satiniert/Satiné			


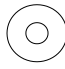





COD. RA900310



Sacchetto Ferramenta
Hardware pack
Rauchchrom
Sachet Quincailleries

<p>R01 COD. RA300344</p> <ul style="list-style-type: none"> IT ANTA BILICO EN PIVOT DOOR DE PIVOT-TÜR FR PORTE PIVOTANTE 		<p>R02 COD. RA250430</p> <ul style="list-style-type: none"> IT KIT PROFILO COMPENSATORE EN COMPENSATOR PROFILE KIT DE AUSGLEICHSPROFIL FR PROFIL DE COMPENSATION 	
<p>R03 COD. RA250473</p> <ul style="list-style-type: none"> IT KIT PROFILI CALAMITATI EN PROFILES WITH MAGNET KIT DE PROFILES MIT MAGNET KIT FR KIT PROFILS AIMANTES 		<p>R04 COD. RA200258</p> <ul style="list-style-type: none"> IT PROFILO PVC EN PROFILE PVC DE PROFIL AUS PVC FR PROFIL PVC 	
<p>R05 COD. RA200062</p> <ul style="list-style-type: none"> IT PROFILO PVC EN PROFILE PVC DE PROFIL AUS PVC FR PROFIL PVC 		<p>R06 COD. RA900272</p> <ul style="list-style-type: none"> IT SET CERNIERA EN HINGE SET DE ZANGE SET FR KIT CHARNIERE 	
<p>R07 COD. RA350039</p> <ul style="list-style-type: none"> IT BORDINO SALVAGOCCIA EN DRIP CATCHER EDGE DE TROPFENFÄNGER PROFIL FR BAGUETTE D'ETANCHEITE 		<p>R08 COD. RA900273</p> <ul style="list-style-type: none"> IT FERMABORDO EN THRESHOLDBAR-MOUNTING-KIT DE SCHWALLSCHUTZLEISTEN-BEFESTIGUNGSATZ FR ARRET-BAGUETTE D'ETANCHEITE 	
<p>R09 COD. RA100030</p> <ul style="list-style-type: none"> IT SET MANIGLIA KORE EN HANDLES SET KORE DE HANDGRIFF SET KORE FR KIT POIGNÉE KORE 		<p>R10 COD. RA400163</p> <ul style="list-style-type: none"> IT KIT TAPPI PROFILO EN COVER KIT DE STOPF KIT FR KIT CACHES PROFIL 	
<p>R11 COD. RA400213</p> <ul style="list-style-type: none"> IT KIT COVER CERNIERA EN HINGE-COVER-KIT DE SCHARNIER-ABDECKUNG-SET FR KIT CACHE CHARNIERE 		<p>R12 COD. RA400214</p> <ul style="list-style-type: none"> IT KIT COVER MANIGLIA EN HANDLE-COVER-KIT DE GRIFF-ABDECKUNG-SET FR KIT CACHE POIGNEE 	
<p>R13 COD. RA200259</p> <ul style="list-style-type: none"> IT KIT GUARNIZIONI EN GASKET KIT DE DICHTUNG KIT FR KIT JOINTS 	<p>R04 + R04 + R05</p>		

R14 COD. RA900274

 <p>IT TASSELLO Ø 6mm GB RAWPLUG Ø 6mm D DÜBEL Ø 6mm F BLOQUER Ø 6mm</p> <p>n°10 pz</p>		 <p>IT RONDELLA IN METALLO GB METALLIC WASHER D SCHEIBE AUS METALL F RONDELLE METALLIQUE</p> <p>n°10 pz</p>		 <p>IT VITE TC+ 4,2X32 GB SCREW TC+ 4,2X32 D SCHRAUBE TC+ 4,2X32 F VIS TC+ 4,2X32</p> <p>n°10 pz</p>		 <p>IT VITE TC+ 3,5X9,5 GB SCREW TC+ 3,5X9,5 D SCHRAUBE TC+ 3,5X9,5 F VIS TC+ 3,5X9,5</p> <p>n°04 pz</p>	
 <p>IT SOTTOCAPPUCCIO PER VITE GB UNDER CAP FOR SCREW D UNTER KAPPE FÜR SCHRAUBE F SOUS COUVERCLE POUR VIS</p> <p>n°04 pz</p>		 <p>IT CAPPUCCIO PER VITE GB CAP FOR SCREW D KAPPE FÜR SCHRAUBE F COUVERCLE POUR VIS</p> <p>n°04 pz</p>		 <p>IT TAPPI COPRIFORO GB CAPS FOR HOLES D STOPFEN F CAPUCHONS CACHE-TROU</p> <p>n°08 pz</p>			



Specificare sempre l'estensibilità, la finitura del profilo, del vetro ed il verso della parete doccia
 Please specify always extensibility, profile colour, glass type and opening version of the shower cubicle (R or L)
 Verstellbereich, Profilarfarbe, Glasvariante und Anschlag der Duschkabine (RE o. LI) immer angeben
 Toujours spécifier l'extensibilité, la finition du profil, la finition du verre et la version de la paroi de douche (droite ou gauche)