

Trattamento protezione vetro
Shower Glass Protect
Glasschutzbehandlung
Traitement protection verre



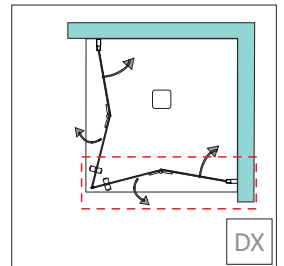
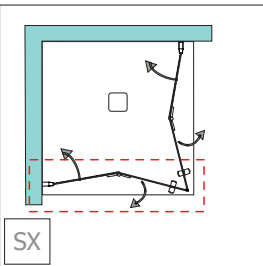
ESTENSIBILITA':	EXTENSIBILITY:	DEHNBARKEIT:	EXTENSIBILITE:
<input type="checkbox"/> 67,5-68,5	<input type="checkbox"/> 72,5-73,5	<input type="checkbox"/> 77,5-78,5	<input type="checkbox"/> 82,5-83,5
<input type="checkbox"/> F.M.			<input type="checkbox"/> 87,5-88,5

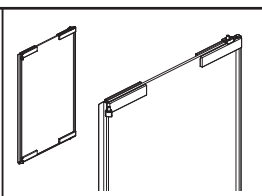
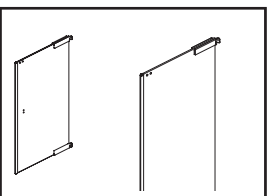
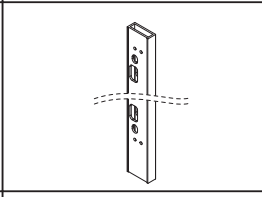
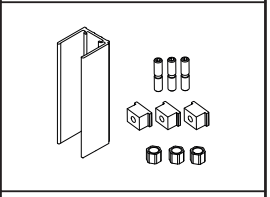
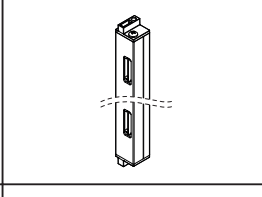
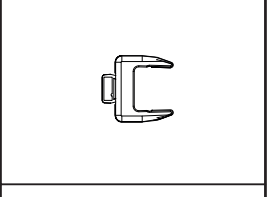
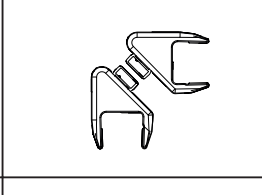
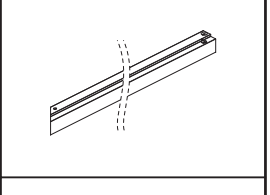
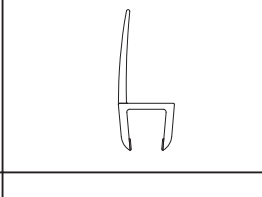
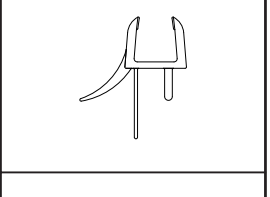
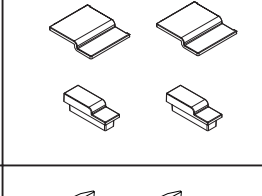
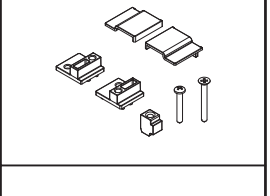
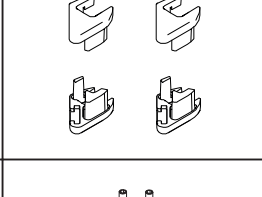
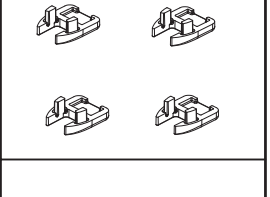
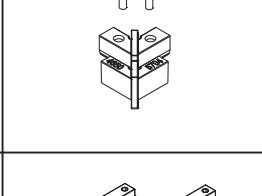
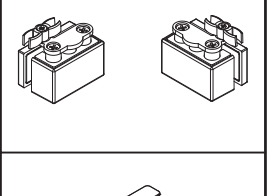
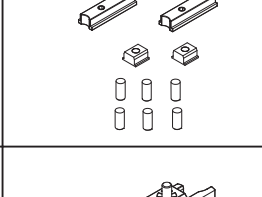
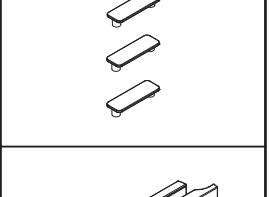
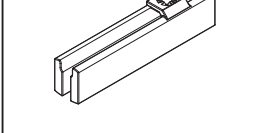
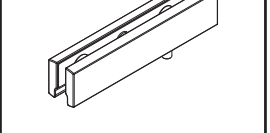
PROFILO:	PROFILE:	PROFIL:	PROFIL:
<input type="checkbox"/> Argento Luc/Silver Brill/Silber Glanz/Argent brillant	<input type="checkbox"/> Alublack	<input type="checkbox"/> RAL opaco/mat/matt-lackiert/mat	
<input type="checkbox"/> Metal	<input type="checkbox"/> Metal Brushed		

VETRO:	GLASS:	GLAS:	VERRE:
<input type="checkbox"/> Trasparente/Transparent	<input type="checkbox"/> Piumato/Piumate	<input type="checkbox"/> Extra light	<input type="checkbox"/> Vertical Plissé
<input type="checkbox"/> Grigio Europa/Europe grey/Europa grau/gris europe	<input type="checkbox"/> Specchiato/Mirror effect/Verspiegelter Glas/Effet miroir	<input type="checkbox"/> Bronzo Glam/Bronze Glam	<input type="checkbox"/> Satinato/Satin/Satiniert/Satiné
<input type="checkbox"/> Fascia/Band glass/Glas Band/Verre Bonde	<input type="checkbox"/> Serigrafato 3 fasce/Serigraphy 3-bang/Siebdruck 3-Bänder/3 bandes dépolies		

COD. RA900371

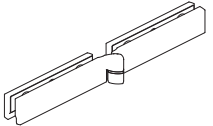
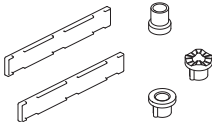
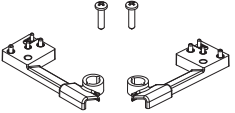
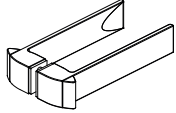
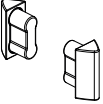
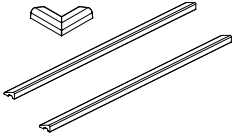
SF Sacchetto Ferramenta
Hardware pack
Rauchchrom
Sachet Quincailleries

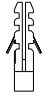





<p>R01 COD. RA300390</p> <ul style="list-style-type: none"> ANTA PIEGHEVOLE FOLDING DOOR FALTTÜR PORTE PLIANTE 	<p>R02 COD. RA300391</p> <ul style="list-style-type: none"> ANTA PIEGHEVOLE FOLDING DOOR FALTTÜR PORTE PLIANTE 
<p>R03 COD. RA250525</p> <ul style="list-style-type: none"> PROFILO COMPENSATORE COMPENSATOR PROFILE AUSGLEICHSPROFIL PROFIL DE COMPENSATION 	<p>R04 COD. RA250526</p> <ul style="list-style-type: none"> KIT PROFILO COMPENSATORE COMPENSATOR PROFILE KIT AUSGLEICHSPROFIL PROFIL DE COMPENSATION 
<p>R05 COD. RA250527</p> <ul style="list-style-type: none"> PROFILO MONTANTE POST PROFILE FESTPROFIL PROFIL MONTANT 	<p>R06 COD. RA250523</p> <ul style="list-style-type: none"> KIT PROFILO CALAMITATO PROFILE WITH MAGNET KIT PROFIL MIT MAGNET KIT KIT PROFIL AIMANTE 
<p>R07 COD. RA250520</p> <ul style="list-style-type: none"> KIT PROFILI CALAMITATI PROFILES WITH MAGNET KIT PROFILES MIT MAGNET KIT KIT PROFILS AIMANTES 	<p>R08 COD. RA250528</p> <ul style="list-style-type: none"> KIT PROFILO BASE SUPERIORE TOP BASE PROFILE KIT OBERES PROFIL KIT PROFIL BASE SUPERIEURE 
<p>R09 COD. RA200283</p> <ul style="list-style-type: none"> PROFILO PVC PROFILE PVC PROFIL AUS PVC PROFIL PVC 	<p>R10 COD. RA200177</p> <ul style="list-style-type: none"> PROFILO PVC PROFILE PVC PROFIL AUS PVC PROFIL PVC 
<p>R11 COD. RA400249</p> <ul style="list-style-type: none"> KIT TAPPI PROFILO COVER KIT STOPF KIT KIT CACHES PROFIL 	<p>R12 COD. RA400257</p> <ul style="list-style-type: none"> KIT TAPPI PROFILO COVER KIT STOPF KIT KIT CACHES PROFIL 
<p>R13 COD. RA400159</p> <ul style="list-style-type: none"> KIT TAPPI PROFILO COVER KIT STOPF KIT KIT CACHES PROFIL 	<p>R14 COD. RA400258</p> <ul style="list-style-type: none"> KIT TAPPI PROFILO COVER KIT STOPF KIT KIT CACHES PROFIL 
<p>R15 COD. RA400259</p> <ul style="list-style-type: none"> KIT CURVA PROFILO CURVED PROFILE KIT GEBOGENES PROFIL KIT KIT COURBLE PROFIL 	<p>R16 COD. RA400266</p> <ul style="list-style-type: none"> KIT SGANCIO ANTA DOOR GLASS RELEASE KIT SCHNELLEN AUSHÄNGEN DER TÜR KIT DE DÉCROCHAGE PORTE 
<p>R17 COD. RA900356</p> <ul style="list-style-type: none"> KIT RIFERIMENTO PERNO PIVOT-CENTRING-KIT PIVOT-ZENTRIERUNGSKIT KIT CENTRAGE PIVOT 	<p>R18 COD. RA400260</p> <ul style="list-style-type: none"> KIT TAPPI PROFILO COVER KIT STOPF KIT KIT CACHES PROFIL 
<p>R19 COD. RA900357</p> <ul style="list-style-type: none"> KIT CERNIERA SUPERIORE UPPER HINGE KIT SET OBERE SCHARNIERE KIT CHARNIÈRE SUPÉRIEURE 	<p>R20 COD. RA900358</p> <ul style="list-style-type: none"> KIT CERNIERA INFERIORE BOTTOM HINGE KIT SET UNTERE SCHARNIERE KIT CHARNIÈRE INFÉRIEURE 



Specificare sempre l'estensibilità, la finitura del profilo, del vetro ed il verso della parete doccia
 Please specify always extensibility, profile colour, glass type and opening version of the shower cubicle (R or L)
 Verstellbereich, Profilarfarbe, Glasvariante und Anschlag der Duschkabine (RE o. LI) immer angeben
 Toujours spécifier l'extensibilité, la finition du profil, la finition du verre et la version de la paroi de douche (droite ou gauche)

<p>R21 COD. RA900364</p> <ul style="list-style-type: none"> IT SET CERNIERA PLUS EN HINGE DOOR PLUS SET DE SCHARNIER DER TÜR PLUS SET FR SET CHARNIÈRE PORTE PLUS 		<p>R22 COD. RA400262</p> <ul style="list-style-type: none"> IT KIT COVER E BOCCOLE EN COVER AND BUSHING KIT DE SET-COVER UND ZYLINDRISCHER RING FR KIT CACHE ET DOUILLE CYLINDRIQUE 	
<p>R23 COD. RA400261</p> <ul style="list-style-type: none"> IT KIT Basette Inferiori EN BOTTOM PLUGS KIT DE UNTERES STOPFEN-KIT FR KIT CACHES INFÉRIEURES 		<p>R24 COD. RA100038</p> <ul style="list-style-type: none"> IT SET MANIGLIA N EN HANDLES SET N DE HANDGRIFF SET N FR KIT POIGNÉE N 	
<p>R25 COD. RA400263</p> <ul style="list-style-type: none"> IT KIT COVER MANIGLIA EN HANDLE-COVER-KIT DE GRIFF-ABDECKUNG-SET FR KIT CACHE POIGNEE 		<p>R26 COD. RA350107</p> <ul style="list-style-type: none"> IT KIT BORDINO SALVAGOCCIA EN DRIP CATCHER EDGE KIT DE TROPFENFÄNGER PROFIL KIT FR KIT BAGUETTE D'ETANCHEITE 	

<p>R27 COD. RA900377 IT KIT FERRAMENTA EN HARDWARE KIT DE EISENWAREN-KIT FR KIT QUINCAILLERIE</p>			
 <ul style="list-style-type: none"> IT TASSELLO Ø 6mm EN RAWPLUG Ø 6mm DE DÜBEL Ø 6mm FR BLOQUER Ø 6mm <p>n°04 pz</p>	 <ul style="list-style-type: none"> IT VITE 4,2X32 TCC EN SCREW 4,2X32 TCC DE SCHRAUBE 4,2X32 TCC FR VIS 4,2X32 TCC <p>n°04 pz</p>	 <ul style="list-style-type: none"> IT VITE TPSEI M6X14 EN SCREW TPSEI M6X14 DE SCHRAUBE TPSEI M6X14 FR VIS TPSEI M6X14 <p>n°18 pz</p>	 <ul style="list-style-type: none"> IT VITE TCEI M4X12 EN SCREW TCEI M4X12 DE SCHRAUBE TCEI M4X12 FR VIS TCEI M4X12 <p>n°01 pz</p>



Specificare sempre l'estensibilità, la finitura del profilo, del vetro ed il verso della parete doccia
 Please specify always extensibility, profile colour, glass type and opening version of the shower cubicle (R or L)
 Verstellbereich, Profilfarbe, Glasvariante und Anschlag der Duschkabine (RE o. LI) immer angeben
 Toujours spécifier l'extensibilité, la finition du profil, la finition du verre et la version de la paroi de douche (droite ou gauche)